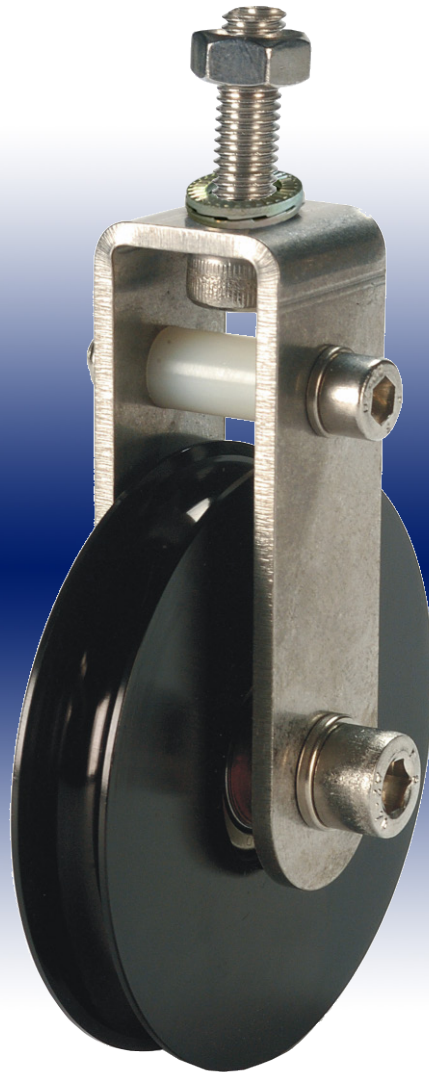


# DATA

Data sheet no. DS0403330 EN  
2014 • R1-8



## Pulley for Orlaco cables



Article no. 0403330

**luginbühl**  
fahrzeug- und werkstatttechnik

Bruneggerstrasse 45, 5103 Möriken  
Telefon 062-893 24 24, [info@luginbuehl-ag.ch](mailto:info@luginbuehl-ag.ch), [www.luginbuehl-ag.ch](http://www.luginbuehl-ag.ch)



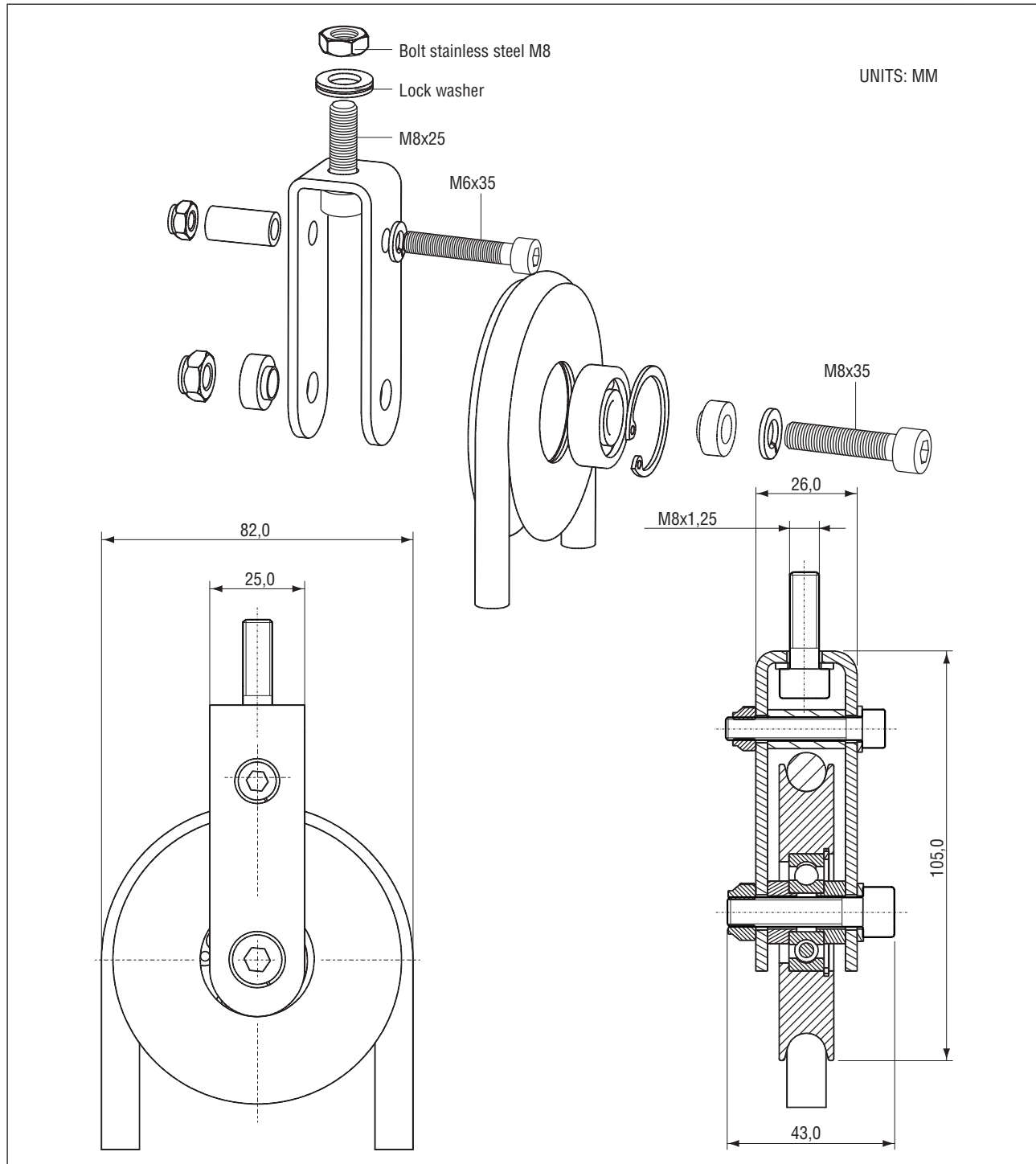
# Technical Specifications

## Pulley for Orlaco cables

Article Number	0403330
Application	Suitable for the mounting of Orlaco Mastcables (5 p. PUR FL) on a fork-lift truck
Material	Standard stainless steel pulley and aluminium 51ST anodized wheel, black
Weight	308,4 g
Operating temp.:	-50°C to +150°C

## Montage

### Pulley assembly and dimensions



All data subject to change without notice. All dimensions are for commercial purpose only. The camera/display systems from Orlaco comply with the latest CE, ADR, EMC and mirror-directive regulations. All products are manufactured in accordance with the ISO 9001 quality management system, ISO/TS16949 quality automotive, ISO 14001 environmental management systems and all Ex products with the IECEx scheme and ATEX directives.

