

Product

DATA

Data sheet no DS0403310 EN
2012 • R2.0



Rubber shock absorbers CC cam



Article no 0403310

luginbühl
fahrzeug- und werkstatttechnik

Bruneggerstrasse 45, 5103 Möriken
Telefon 062-893 24 24, info@luginbuehl-ag.ch, www.luginbuehl-ag.ch



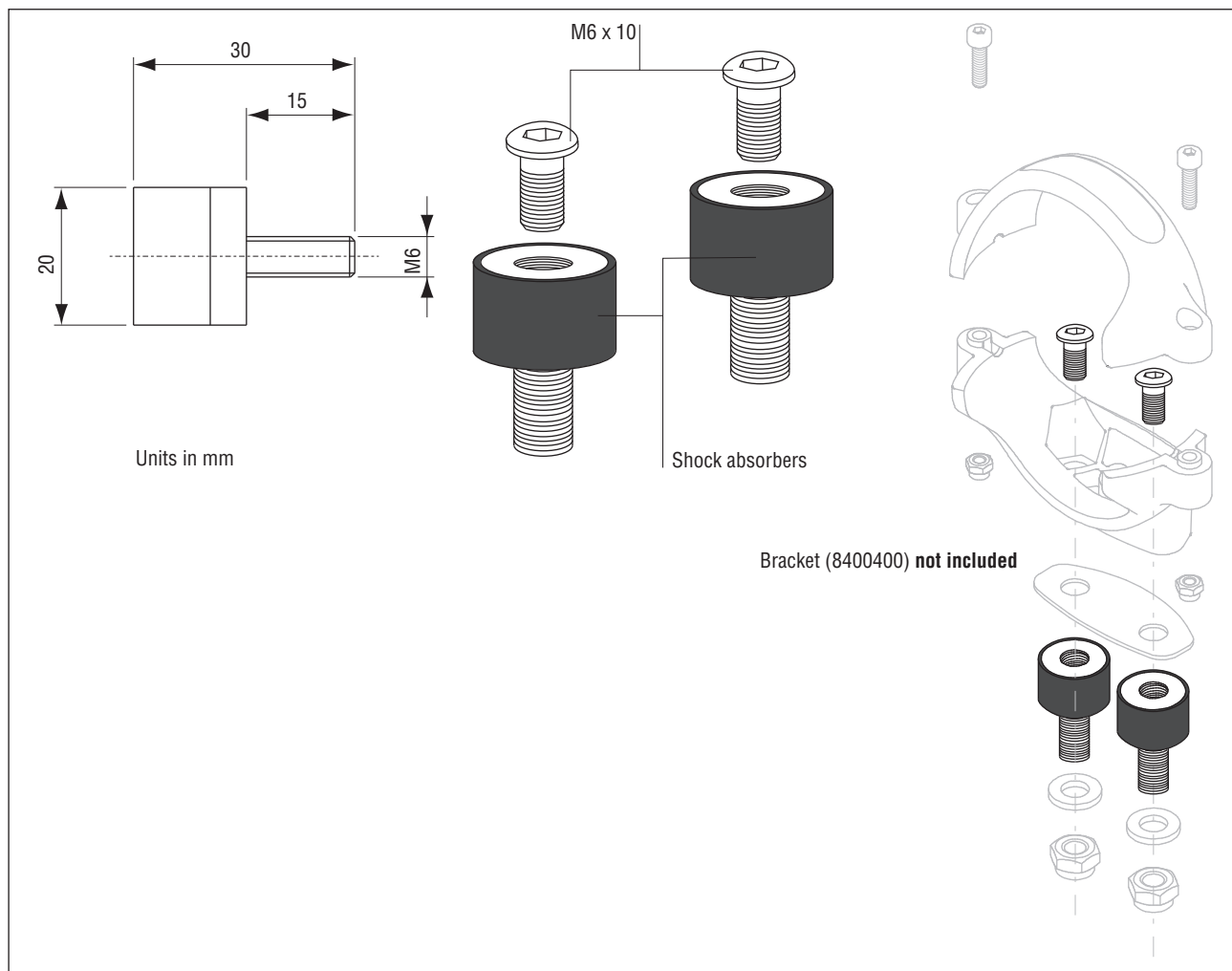
Technical Specifications

Rubber shock absorbers CC cam

Article number	0403310
Application	Absorb shocks. For applications where large shocks occur, like mining machinery, stone crushers or similar applications
Operating temperature	-40°C to +85°C
Weight	39,8 g total (32,4 g shock absorbers only)
Material	Rubber (60° shore hardness)
Included	2 screws M6 x 10, stainless steel, chrome

Although this is a proven method to protect a compact camera against rough environment. Orlaco is not liable for warranty claims if shocks are higher than 15G rms (with bracket attached) post thermal cycle 24-2000Hz random vibration.

Dimensions



All data subject to change without notice. All dimensions are for commercial purpose only.
The camera/display systems from Orlaco comply with the latest CE, ADR, EMC and mirror-directive regulations.
All products are manufactured in accordance with the ISO 9001 quality management system, ISO 14001 environmental management systems and all Ex products with the IECEx scheme and ATEX directives.

